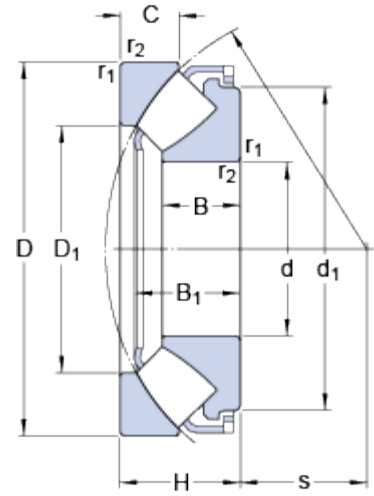


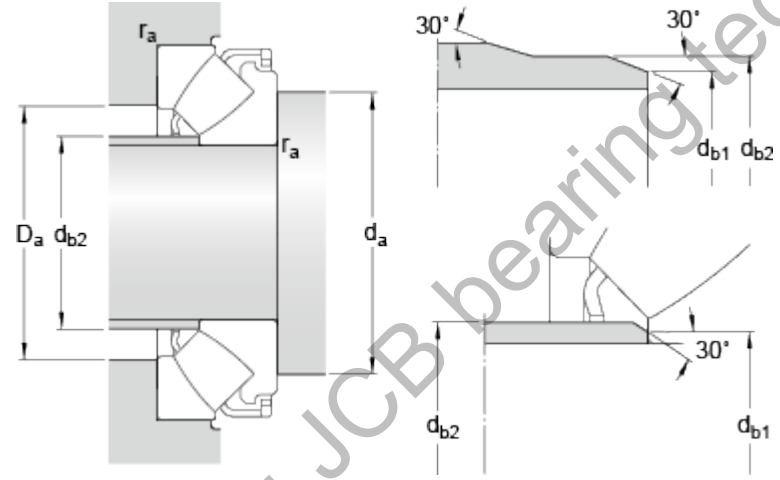
29344

Dimensions



| | | |
|------------------|--------|----|
| d | 220 | mm |
| D | 360 | mm |
| H | 85 | mm |
| d ₁ | ≈ 326 | mm |
| D ₁ | ≈ 274 | mm |
| B | 55 | mm |
| B ₁ | 77.7 | mm |
| C | 41 | mm |
| s | 125 | mm |
| r _{1,2} | min. 4 | mm |

Abutment dimensions



| | | |
|-----------------|----------|----|
| d _a | min. 285 | mm |
| d _{b1} | max. 229 | mm |
| d _{b2} | max. 240 | mm |
| D _a | max. 316 | mm |
| r _a | max. 3 | mm |

Calculation data

| | | | |
|---------------------------|----------------|------|-------|
| Basic dynamic load rating | C | 2000 | kN |
| Basic static load rating | C ₀ | 6300 | kN |
| Fatigue load limit | P _u | 610 | kN |
| Reference speed | | 1000 | r/min |
| Limiting speed | | 1700 | r/min |
| Minimum axial load factor | A | 3.8 | |

Mass

| | | |
|--------------|------|----|
| Mass bearing | 31.2 | kg |
|--------------|------|----|